

**Series 4, Built-in oven, 60 x 60 cm,
Stainless steel
HBS534BS0B**



Included accessories

2 x combination grid
1 x universal pan
2 x Universal pan
slim size

Optional accessories

HEZ530000 : Half tray
HEZ531000 : Baking tray, grey enamelled
HEZ531010 : Baking tray, non-stick ceramic coated
HEZ538000 : 1fold telescopic rail, level independent
HEZ634000 : Baking and roasting grid (standard)
HEZ636000 : Glass pan
HEZ638300 : 3 level telescopic rails, full ext
HEZ915003 : Glass roasting dish, 5,4 L

The built-in oven with 3D hot air: achieve perfect baking and roasting results on up to three levels simultaneously.

- **Red LED display control:** easy-to-use thanks to the time functions.
- **Pop-out controls:** Make the front of the oven easy to clean and give it a sleek look.
- **EcoClean Direct:** less cleaning effort thanks to a special coating of the rear wall that automatically absorbs grime.
- **Cleaning Assistance:** less cleaning effort thanks to the new cleaning option, which can be especially used for cleaning of light soiling.
- **2 universal pans, slim size:** optimized for smaller amounts of different dishes.

Technical Data

Color / Material Front : Stainless steel
Construction type : Built-in
Integrated Cleaning system : Catalytic partial, Hydrolytic
Min. required niche size for installation (HxWxD) : 585-595 x 560-568 x 550 mm
Dimensions : 595 x 594 x 548 mm
Dimensions of the packed product (HxWxD) : 675 x 690 x 660 mm
Control Panel Material : Stainless steel
Door Material : Glass
Net weight : 33.3 kg
Usable volume of cavity : 71 l
First cavity material : Other
Oven control : mechanical
Number of interior lights : 1
Length of electrical supply cord : 120 cm
EAN code : 4242005057375
Number of cavities (2010/30/EC) : 1
Energy efficiency rating : A
Energy consumption per cycle conventional (2010/30/EC) : 0.97 kWh/cycle
Energy consumption per cycle forced air convection (2010/30/EC) : 0.81 kWh/cycle
Energy efficiency index (2010/30/EC) : 95.3 %
Connection rating : 2990 W
Fuse protection : 13 A
Voltage : 220-240 V
Frequency : 60; 50 Hz
Plug type : no plug (electrical connection by electrician)
Included accessories : 2 x combination grid, 1 x universal pan, 2 x Universal pan, slim size



Series 4, Built-in oven, 60 x 60 cm, Stainless steel HBS534BS0B

The built-in oven with 3D hot air: achieve perfect baking and roasting results on up to three levels simultaneously.

Design

- LED-Display Control (Red)
- Rotary dial, Retractable control dials, round
- Straight bar handle

Features

- Control panel lock
- Electronic clock timer
- Interior halogen light
- Integral cooling fan
- 5 shelf positions
- Heating-up indicator
Automatic start

Cleaning

- EcoClean Direct : back panel

Programmes/functions

- Oven with 7 PC heating methods: 3D Hotair, conventional top and bottom heat, Hotair grilling, full width variable grill, pizza function, bottom heat, Hotair gentle
- Fast pre-heating function

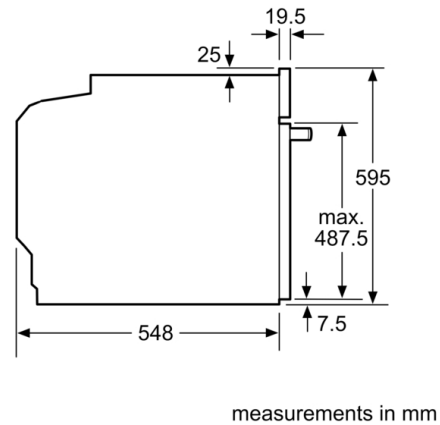
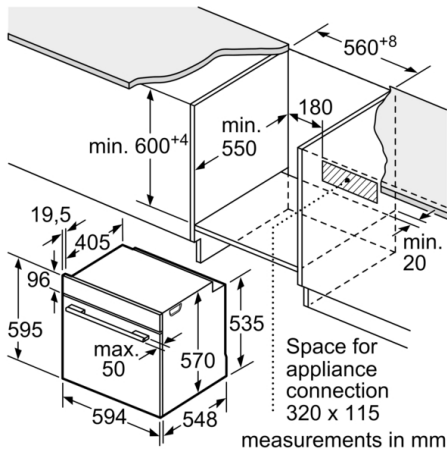
Accessories

- 1 x universal pan, 2 x combination grid, 2 x Universal pan, slim size

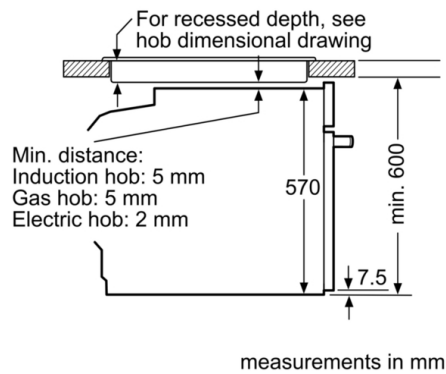
Performance/technical information

- Energy efficiency rating (acc. EU Nr. 65/2014): A
Energy consumption per cycle in conventional mode:0.97 kWh
Energy consumption per cycle in fan-forced convection mode:0.81 kWh
Number of cavities: Main cavity Heat source: electrical Cavity volume:71 litre capacity
- Temperature range 50 °C - 275 °C
- Total connected load electric: 2.99 KW
- Nominal voltage: 220 - 240 V
- 120 cm Cable length
- Appliance dimension (hxwxh): 595 mm x 594 mm x 548 mm
- Niche dimension (hxwxh): 585 mm - 595 mm x 560 mm - 568 mm x 550 mm
- Please refer to the dimensions provided in the installation manual

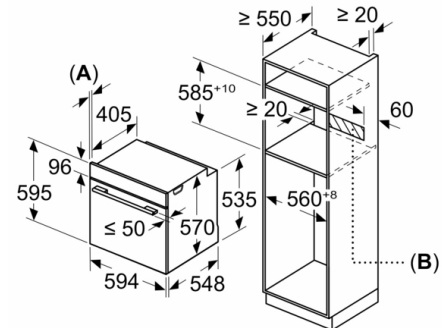
Series 4, Built-in oven, 60 x 60 cm, Stainless steel
HBS534BS0B



Installation with a hob.



Measurements in mm



A: 19.5 mm
B: Space for appliance connection 320 x 115 mm