

**Series 6, Built-in oven, 60 x 60 cm,  
Stainless steel  
HBA5570S0B**



**Included accessories**

2 x combination grid  
1 x universal pan

**Optional accessories**

HEZ531010 : Baking tray, non-stick ceramic coated  
HEZ538000 : 1fold telescopic rail, level independent  
HEZ634000 : Baking and roasting grid (standard)  
HEZ638300 : 3 level telescopic rails, full ext  
HEZ915003 : Glass roasting dish, 5,4 L

**The built-in oven with AutoPilot:  
automatically prepares perfect dishes.**

- **AutoPilot 10:** every dish is a perfect success thanks to 10 pre-set automatic programmes.
- **White LCD display control :** easy-to-use thanks to direct access to additional functions.
- **Pop-out controls:** Make the front of the oven easy to clean and give it a sleek look.
- **EcoClean Direct:** easy cleaning thanks to a coating that breaks down grease while you bake.
- **Cleaning Assistance:** less cleaning effort thanks to the new cleaning option, which can be especially used for cleaning of light soiling.

**Technical Data**

Color / Material Front : Stainless steel

Construction type : Built-in

Integrated Cleaning system : Catalytic all sides, Hydrolytic

Min. required niche size for installation (HxWxD) : 585-595 x 560-568 x 550 mm

Dimensions : 595 x 594 x 548 mm

Dimensions of the packed product (HxWxD) : 675 x 690 x 660 mm

Control Panel Material : Stainless steel

Door Material : Glass

Net weight : 34.2 kg

Usable volume of cavity : 71 l

First cavity material : Other

Oven control : mechanical

Number of interior lights : 1

Length of electrical supply cord : 120 cm

EAN code : 4242005056613

Number of cavities (2010/30/EC) : 1

Energy efficiency rating : A

Energy consumption per cycle conventional (2010/30/EC) : 0.97 kWh/cycle

Energy consumption per cycle forced air convection (2010/30/EC) : 0.81 kWh/cycle

Energy efficiency index (2010/30/EC) : 95.3 %

Connection rating : 2990 W

Fuse protection : 13 A

Voltage : 220-240 V

Frequency : 60; 50 Hz

Plug type : no plug (electrical connection by electrician)

Included accessories : 2 x combination grid, 1 x universal pan



## Series 6, Built-in oven, 60 x 60 cm, Stainless steel HBA5570S0B

**The built-in oven with AutoPilot:  
automatically prepares perfect dishes.**

### Design

- LCD-display control (white)
- Rotary dial, Retractable control dials, round
- Straight bar handle

### Features

- Control panel lock  
Residual heat indicator
- Heating-up indicator  
AutoPilot Automatic start
- 5 shelf positions
- AutoPilot, 10
- Electronic clock timer
- Interior halogen light
- Integral cooling fan

### Cleaning

- EcoClean Direct : ceiling, back panel, side liners
- EcoClean Direct programme

### Programmes/functions

- Oven with 7 PC heating methods: 3D Hotair, conventional top and bottom heat, Hotair grilling, full width variable grill, pizza function, bottom heat, Hotair gentle
- Automatic programmes
- Fast pre-heating function

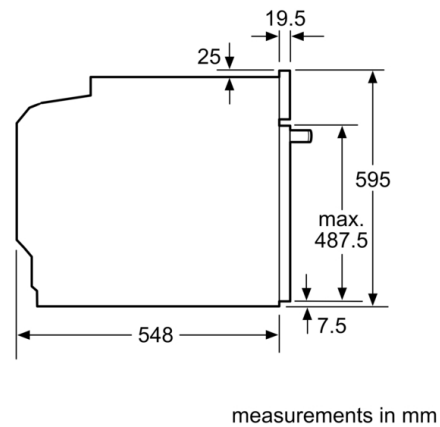
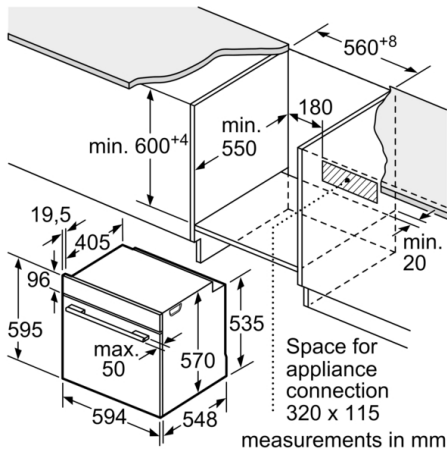
### Accessories

- 1 set of level independent telescopic rails, Stop function
- 1 x universal pan, 2 x combination grid

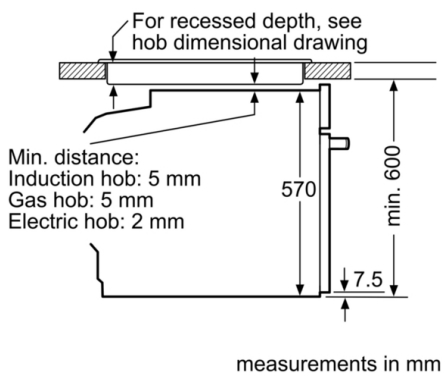
### Performance/technical information

- Energy efficiency rating (acc. EU Nr. 65/2014): A  
Energy consumption per cycle in conventional mode:0.97 kWh  
Energy consumption per cycle in fan-forced convection mode:0.81 kWh  
Number of cavities: Main cavity Heat source: electrical Cavity volume:71 litre capacity
- 120 cm Cable length
- Total connected load electric: 2.99 KW
- Temperature range 50 °C - 275 °C
- Nominal voltage: 220 - 240 V
- Appliance dimension (hxwxh): 595 mm x 594 mm x 548 mm
- Niche dimension (hxwxh): 585 mm - 595 mm x 560 mm - 568 mm x 550 mm
- Please refer to the dimensions provided in the installation manual

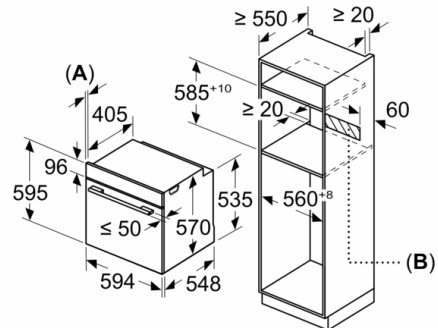
**Series 6, Built-in oven, 60 x 60 cm, Stainless steel**  
**HBA5570S0B**



Installation with a hob.



Measurements in mm



**A:** 19.5 mm  
**B:** Space for appliance connection 320 x 115 mm