

N 30, BUILT-IN FRIDGE-FREEZER WITH FREEZER AT BOTTOM, 193.5 X 54.1 CM, SLIDING HINGE KI7961SE0



The spacious built-in fridge freezer with an extra shelf, additional door bins and Fresh Safe drawer for fruit and vegetables, No Frost and flexible storage solutions.

- ✓ No Frost – No more defrosting your freezer.
- ✓ Adjustable Glass Shelves – Height adjustable shelves create the space you need for inspiring dishes in your fridge
- ✓ Eco Air Flow – Even air circulation for constant temperatures and fast cooling.
- ✓ LED Light – Illuminate your fridge with long-life LEDs.
- ✓ Our safety glass shelves happily shoulder generous loads of delicacies in your fridge

Features

Technical Data

Energy Efficiency Class:	E
Average annual energy consumption in kilowatt hour per year (kWh/a):	231 kWh/a
Sum of volume of frozen compartments:	75 l
Sum of volume of chill compartments:	214 l
Airborne acoustical noise emissions :	39 dB(A) re 1 pW
Airborne acoustical noise emission class:	C
Construction type:	Built-in
Door panel options:	Not possible
Height:	1935 mm
Width of the appliance:	541 mm
Depth of the product:	550 mm
Min. required niche size for installation (HxWxD):	1940 x 560 x 550 mm
Net weight:	53.7 kg
Fuse protection:	10 A
Door hinge:	Right reversible
Voltage:	220-240 V
Frequency:	50 Hz
Length of electrical supply cord:	230.0 cm
Number of compressors:	1
Number of independent cooling systems:	2
Interior ventilator:	No
Reversible Door Hinge:	Yes
Number of Adjustable Shelves in fridge compartment (Stck):	4
Shelves for Bottles:	No
Frost free system:	Freezer
Installation type:	Full-integrated
Type of hinge:	Follow-door

Optional accessories

KS6BORZO	Bottle Rack
KSGGOMZO	Butter box



*N 30, BUILT-IN FRIDGE-FREEZER WITH FREEZER
AT BOTTOM, 193.5 X 54.1 CM, SLIDING HINGE
KI7961SE0*

Features

Design features

- Built-in fridge/freezer
- noFrost freezer, never have to defrost ever again
- Right hinged door, reversible
- Height adjustable front feet
- Bright interior LED fridge light in fridge section
- Twin LED electronic control panel

Functions

- Automatic defrost fridge
- Two separate cooling circuits allow independent temperature control and prevents the transference of humidity between the fridge and freezer cavity
- Super Cooling: automatic deactivation
- optical and acoustical

Food freshness system

- 1 FreshSafe drawer- The ideal place to store your fruit and vegetables safely.

Key features - Fridge section

- 5 safety glass shelves in fridge compartment of which 4 are height adjustable
- Door shelves in fridge door: 1 large and 3 small.

Key features - Freezer section

- 3 freezer drawers

Additional features

- 2 x egg tray, 1 x ice cube tray

Performance and Consumption

- Climate Class: SN-ST
- Total Volume : 291 l
- Net Fridge Volume : 215 l
- Net Freezer Volume : 76 l
- Annual Energy Consumption: 231 kWh/a
- Noise Level : 39 dB , EU19_Noise emission class_D: C
- Freezing capacity 24h : 7 kg
- Temperature rise time : EU19_Temperature rise time_D: 10 H
- 220 - 240 V
- EU19_EEK_D: E
- EU19_Fast freezer facility_D
- Based on the results of the standard 24-hour test. Actual consumption depends on usage/position of the appliance.

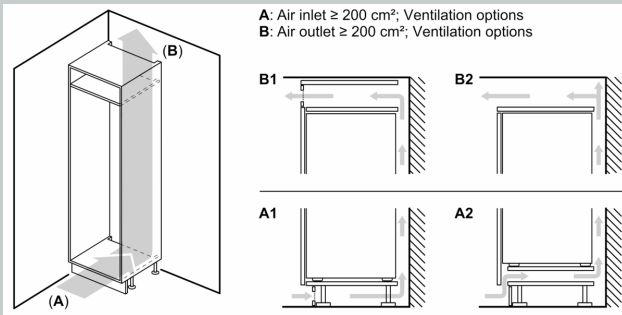
Dimension and installation

- Dimensions: 193.5 cm H x 54.1 cm W x 54.8 cm D
- Niche Dimensions: 194 cm H x 56 cm W x 55 cm D
- Length of power cord:230 cm

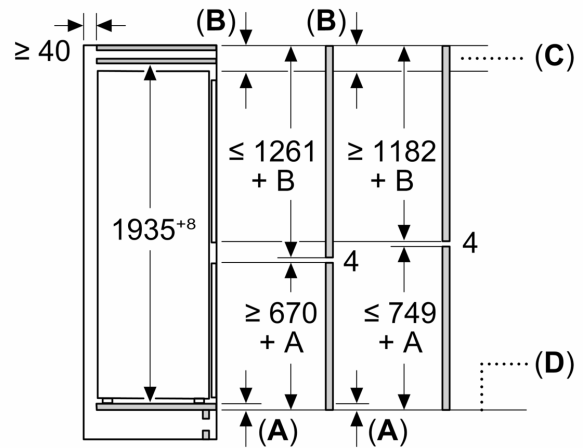
Country Specific Options

N 30, BUILT-IN FRIDGE-FREEZER WITH FREEZER AT BOTTOM, 193.5 X 54.1 CM, SLIDING HINGE
K17961SE0

Dimensioned drawings



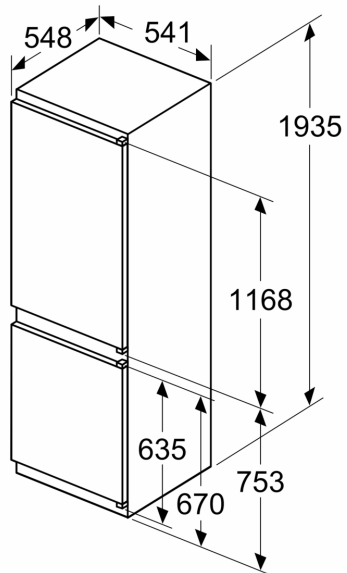
Measurements in mm



C: Front panel overhang

D: Lower edge of front panel

Measurements in mm



Measurements in mm

