

**Series 4, Washing machine, front loader, 8 kg, 1400 rpm  
WAN28258GB**



**Washing machine with Iron Assist to reduce your ironing pile and with a long lasting EcoSilence Drive motor.**

- **Best energy class A:** save energy with the most efficient class A.
- **Speed Perfect:** get the perfect clean in up to 65% less time.
- **Iron Assist:** reduce wrinkles up to 50%
- **ActiveWater Plus:** For highly efficient use of water even with smaller loads thanks to automatic load detection.
- **Reload function:** forgot an item? Add it easily to the wash.

**Technical Data**

Energy Efficiency Class: ..... A  
 Weighted energy consumption in kWh per 100 washing cycles of eco 40-60 programme: ..... 46 kWh  
 Maximum capacity in kg: ..... 8.0 kg  
 The water consumption of the eco programme in liters per cycle: 47 l  
 Duration of eco 40-60 programme in hours and mins at rated capacity: ..... 3:33 h  
 Spin-drying efficiency class of eco 40-60 programme: ..... B  
 Airborne acoustical noise emission class: ..... A  
 Airborne acoustical noise emissions : ..... 72 dB(A) re 1 pW  
 Installation type: ..... Freestanding  
 Height of removable worktop: ..... -5 mm  
 Dimensions of the product: ..... 845 x 598 x 590 mm  
 Net weight: ..... 67.7 kg  
 Connection rating: ..... 2300 W  
 Fuse protection: ..... 10 A  
 Voltage: ..... 220-240 V  
 Frequency: ..... 50 Hz  
 Length of electrical supply cord: ..... 210.0 cm  
 Door hinge: ..... Left  
 Wheels: ..... No  
 EAN code: ..... 4242005414048  
 Installation type: ..... Free-standing

**Optional accessories**

- WMZ2200 Floor securing component
- WMZ2381 Extension for cold water inlet /Aquastop
- WMZPW20W Platform with pull-out, washer, cubic



## Series 4, Washing machine, front loader, 8 kg, 1400 rpm WAN28258GB

### Washing machine with Iron Assist to reduce your ironing pile and with a long lasting EcoSilence Drive motor.

#### Performance

- Energy Efficiency Class<sup>1</sup>: A
- Energy<sup>2</sup> / Water<sup>3</sup>: 46 kWh / 47 litres
- Load capacity: 1 - 8 kg
- Programme duration<sup>4</sup>: 3:33 h:min
- Spin drying efficiency class: B
- Spin speed<sup>\*\*</sup>: 0 - 1400 rpm
- Noise level: 72 dB (A) re 1 pW
- Noise efficiency class: A

#### Programmes/functions

- Standard programmes: cottons, easy care, delicates, wool hand wash
- Iron Assist: Steam programme that reduces wrinkles on dry clothes
- Special programmes: Outdoor, Shirts, Mixed Load, Super Quick 15/30, Drum clean with reminder, jeans/dark laundry, Wool/Handwash, Delicate/Silk programme

#### Key features

- SpeedPerfect: perfectly clean in up to 65% less time. \*\*\*
- Touch control buttons: Prewash, Ready in, Temperature selection, Night Wash / Silent Wash, SpeedPerfect, start/pause with reload function, Spin speed reduction

#### Additional features

- Reload function: Flexibility to add or remove laundry items of any size even after start of the wash cycle.
- Large display for spin speed, remaining time, 24 h end time delay and load recommendation
- Usage meter: counts completed programmes
- Drum volume: 65 litres
- Aqua Protection
- Fully electronic control dial for all wash and special programmes
- AntiVibration Design - for more stability and quietness
- EcoSilence drive with 10 year warranty
- EcoSilence drive with 10 year warranty
- ActiveWater Plus: for highly efficient use of water even with smaller loads thanks to automatic load detection.
- Foam detection system
- Safeguard monitoring system adjusts load distribution and programme settings to protect clothes
- No
- Buzzer to indicate the end of cycle
- Child lock
- Divider for Liquid Detergent
- Large silver-white door with 171° opening
- Metal door catch
- Reload facility

#### Technical Information

- Slide-under installation
- Dimensions (H x W): 84.5 cm x 59.8 cm
- Appliance depth: 59.0 cm
- Appliance depth incl. door: 63.3 cm
- Appliance depth with open door: 106.3 cm

<sup>1</sup> Scale of Energy Efficiency Classes from A to G

<sup>2</sup> Energy consumption in kWh per 100 cycles (in programme Eco 40-60)

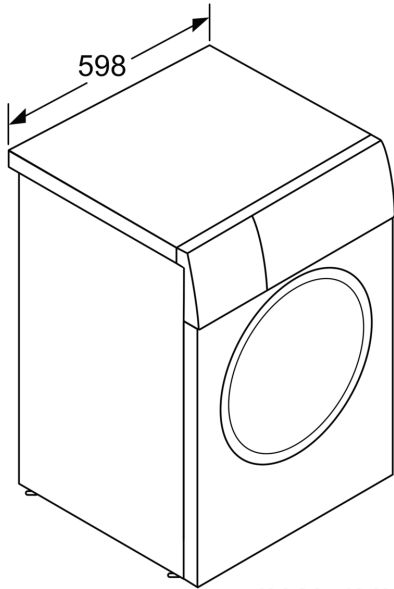
<sup>3</sup> Weighted water consumption in litres per cycle (in programme Eco 40-60)

<sup>4</sup> Duration of Eco 40-60 programme

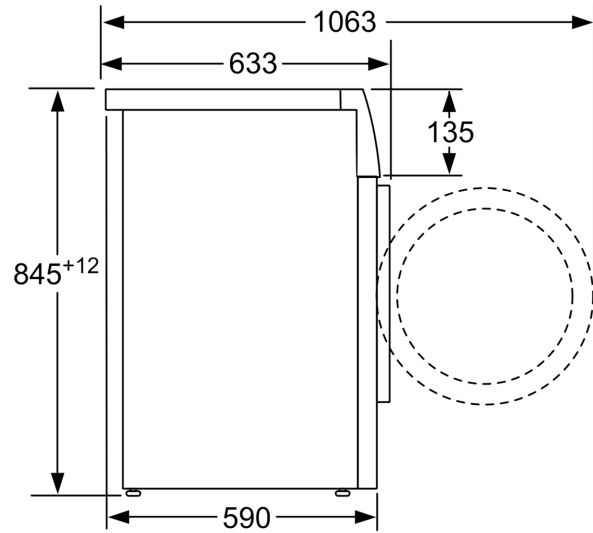
\*\* Values are rounded.

\*\*\* Comparison between the program duration of Easy-care 40°C and the program duration of Easy-care 40°C + activated Speed option

**Series 4, Washing machine, front loader, 8 kg, 1400 rpm  
WAN28258GB**



measurements in mm



measurements in mm