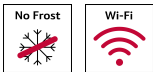


N 50, BUILT-IN FREEZER, 82 X 59.8 CM, FLAT HINGE
GU7212FE0G



Included accessories

1 x ice cube tray

Optional accessories

KFZ10AX0 Door panel with decor frame
KU1213Z0 Attachment door, stainless steel

Built-under freezer with No Frost and Door Alarm for convenient and worry-free freezing where space is limited.

- √ No Frost – No more defrosting your freezer.
- √ Home Connect – Add your smart fridge to your home network and stay connected to your kitchen.

Features

Technical Data

Energy Efficiency Class:E
Average annual energy consumption in kilowatt hour per year (kWh/a): 189 kWh/a
Sum of volume of frozen compartments: 85 l
Airborne acoustical noise emissions : 35 dB(A) re 1 pW
Airborne acoustical noise emission class: B
Light: No
Product category: Upright freezer
Construction type: Built-in
Frost free system: Fridge and freezer
Height of the appliance: 820 mm
Width of the appliance: 598 mm
Depth of the product: 548 mm
Dimensions of the packed product (HxWxD): . 890 x 640 x 640 mm
Net weight: 30.7 kg
Gross weight: 33.4 kg
Fuse protection: 10 A
Frequency: 50 Hz
Length of electrical supply cord: 230.0 cm
Door hinge: Right reversible
Warning signal / malfunction: Visual
Door lock: No
Number of drawers/baskets (Stck): 3
Number of freezing flaps (Stck): 0
EAN code: 4242004272052
Brand: Neff
Product name / Commercial code: GU7212FE0G
Product category: Upright freezer
Included accessories: 1 x ice cube tray



N 50, BUILT-IN FREEZER, 82 X 59.8 CM, FLAT
HINGE
GU7212FE0G

Features

Performance and Consumption

- EU19_EEK_D: E
- Total Volume : 85 l
- Annual Energy Consumption: 189 kWh/a
- Climate Class: SN-T
- Noise Level : 35 dB , EU19_Noise emission class_D: B

Functions

Design features

- NO_FROST_NEU_BL, never have to defrost ever again
- Electronic control (LED chain)
- Sabbat-Mode
- Freezer malfunction warning signal: optical and acoustical
- SuperFreeze function with automatic deactivation
- Home Connect: iService Remote, Remote Monitoring and Control
- Easy clean interior

Food freshness system

- Net Freezer Volume : 85 l
- 3 freezer drawers
- Temperature rise time : EU19_Temperature rise time_D: 9 H
- EU19_Fast freezer facility_D
- Freezing capacity 24h : 8 kg
- Ice box

Key features - Fridge section

- Right hinged door, reversible
- can be built under
- Ventilation through plinth
- Length of power cord: 230 cm
- 220 - 240 V

Dimension and installation

- Niche Dimensions: 82 cm H x 60 cm W x 55 cm D
- Dimensions: 82 cm H x 59.8 cm W x 54.8 cm D

Key features - Freezer section

- GU7212FE0G

Country Specific Options

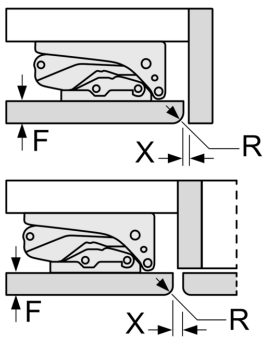
- Based on the results of the standard 24-hour test. Actual consumption depends on usage/position of the appliance.

Additional features

N 50, BUILT-IN FREEZER, 82 X 59.8 CM, FLAT HINGE
 HINGE
 GU7212FEOG

Dimensioned drawings

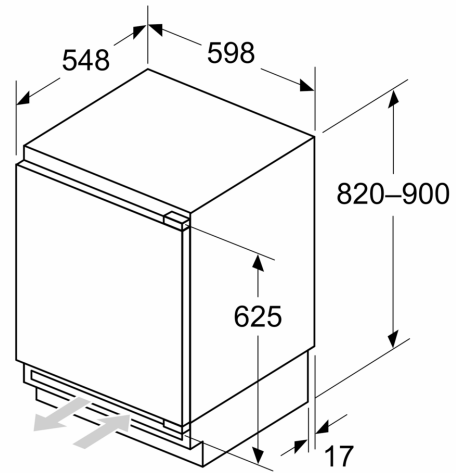
measurements in mm
 Recommended gap dimensions for flat hinges



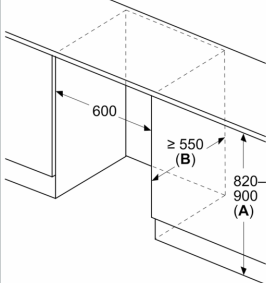
F	R	X
16-19	0-3	2.5
20	0-1	3
	2-3	2.5
21	0-1	3
	2-3	2.5
22	0	4
	1	3.5
	2-3	3

The gap dimensions recommended in the table must be adhered to in order to ensure that appliance doors do not collide with anything when they are opened, and to avoid causing damage to kitchen units.

Measurements in mm



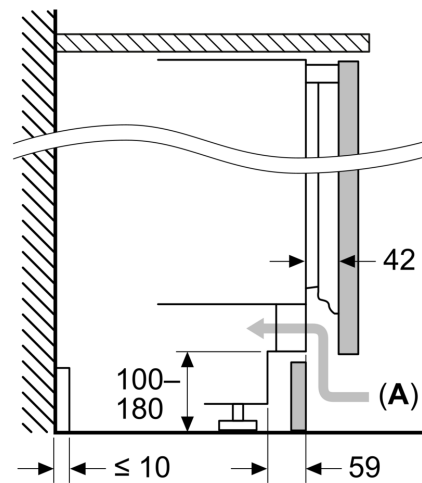
Measurements in mm



A: Substructure height
 B: ≥ 560 mm (recommended)

Space for electrical connection next to the appliance on the left or right side

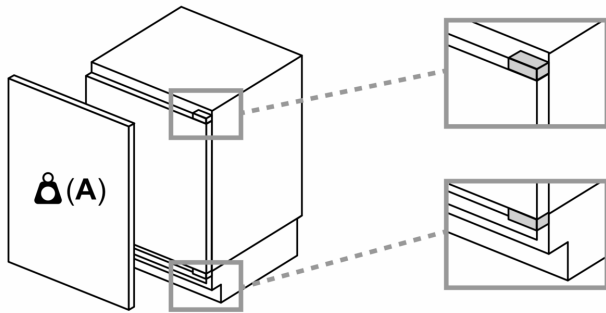
Measurements in mm



A: Air inlet ≥ 200 cm²

Dimensioned drawings

Maximal permissible weight of the unit fronts



Fitted unit fronts that exceed the permissible weight may cause damage and result in functional impairment of the hinges

A: Weight \leq 12 kg