

N 50, SEMI-INTEGRATED DISHWASHER, 60 CM,
STAINLESS STEEL
S145HTS01G



The practical dishwasher offers a favourite button for customised settings.

- ✓ Flex I Baskets – Foldable elements in the top and bottom baskets for practical loading
- ✓ Extra Dry: for difficult-to-dry loads select the extra drying option
- ✓ Chef 70°C – The pro programme that vanishes stubborn residues.
- ✓ Favourite – Easily access your favourite settings or programmes.
- ✓ Home Connect – Add your dishwasher to your home network and enjoy the infinite possibilities of connected services

Features

Technical Data

Energy Efficiency Class:	D
Energy Consumption for 100 cycles Eco Programme:	84 kWh
Maximum number of place settings:	13
The water consumption of the eco programme in liters per cycle:	9.0 l
Programme duration:	4:30 h
Airborne acoustical noise emissions :	46 dB(A) re 1 pW
Airborne acoustical noise emission class:	C
Built-in / Free-standing:	Built-in
Height of removable worktop:	0 mm
Dimensions of the product (HxWxD):	815 x 598 x 573 mm
Min. required niche size for installation (HxWxD):	815-875 x 600 x 550 mm
Depth with open door 90 degree:	1150 mm
Adjustable feet:	Yes - all from front
Maximum adjustability feet:	60 mm
Adjustable plinth:	Both horizontal and vertical
Net weight:	30.3 kg
Gross weight:	33.7 kg
Connection Rating:	2400 W
Fuse protection:	10 A
Voltage:	220-240 V
Frequency:	50; 60 Hz
Length electrical supply cord:	175.0 cm
Plug type:	GB plug
Length inlet hose:	165 cm
Length outlet hose:	190 cm
EAN code:	4242004282211
Installation typology:	Half-integrated



Optional accessories

Z7710X0	inlet and outlet hose extention
Z780BI02	decorative strips stainless steel 81,5cm
Z7863X1	Rack insert for stemware dishwasher
Z7863X2	Plinth casing and door, stainless steel
Z7863X8	Wine glass holder
Z7870X0	Accessories dishwasher
Z7871X0	Silver polishing cassette
Z7880X0	Accessories dishwashers

N 50, SEMI-INTEGRATED DISHWASHER, 60 CM,
STAINLESS STEEL
S145HTS01G

Features

Performance

- Energy Efficiency Class¹: D
- Energy² / Water³: 84 kWh / 9 litres
- Capacity: 13 place settings
- Programme duration⁴: 4:30 (h:min)
- Noise level: 46 dB(A) re 1 pW
- Noise Efficiency Class: C

⁴ Duration of programme Eco 50 °C

Programmes / functions

- 6 programmes: Eco 50 °C, Auto 45-65 °C, Chef 70 °C, 1h 65 °C, Glass 40 °C, Favourite
- Default favourite programme: Pre-Rinse
- 4 special options: Remote Start, Extra Dry, Power Zone, Extra Speed
- Add-On functions via Home Connect app: Extra Hygiene, Silence on Demand
- Easy Clean Programme

Flexible design elements

- Flex I baskets
- Height adjustable top basket
- Low friction wheels on bottom basket
- Rack Stopper to prevent derailing of bottom basket
- 2 foldable plate racks in bottom basket
- Knife rack in top basket
- Cutlery basket in lower rack
- Upper rack cup shelf

Innovations and technology

- Home Connect - Wi Fi enabled, for dishwasher control
- Heat exchanger - Hygienic and efficient drying
- AquaSensor®
- DosageAssist detergent dispenser
- Efficient SilentDrive BLDC motor
- DetergentAware
- Neff Sparkle - glass care system

Design features

- Remaining programme time indicator (minutes) on front display
- Time delay (3, 6 or 24 hours)
- Tamperproof controls
- Aqua Stop: Neff's warranty in case of water damage – throughout the lifetime of the appliance.*
- Self-cleaning filter system with 3 piece corrugated filter
- steam protection plate
- Stainless steel/Polinox interior
- Dimensions (HxWxD): 81.5 x 59.8 x 57.3cm

¹ Scale of Energy Efficiency Classes from A to G

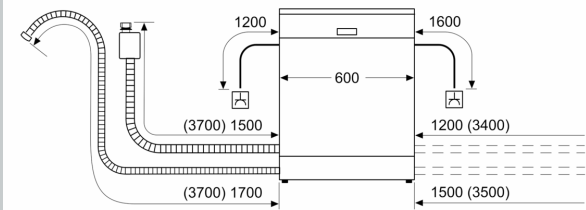
² Energy consumption in kWh per 100 cycles (in programme Eco 50 °C)

³ Water consumption in litres per cycle (in programme Eco 50 °C)

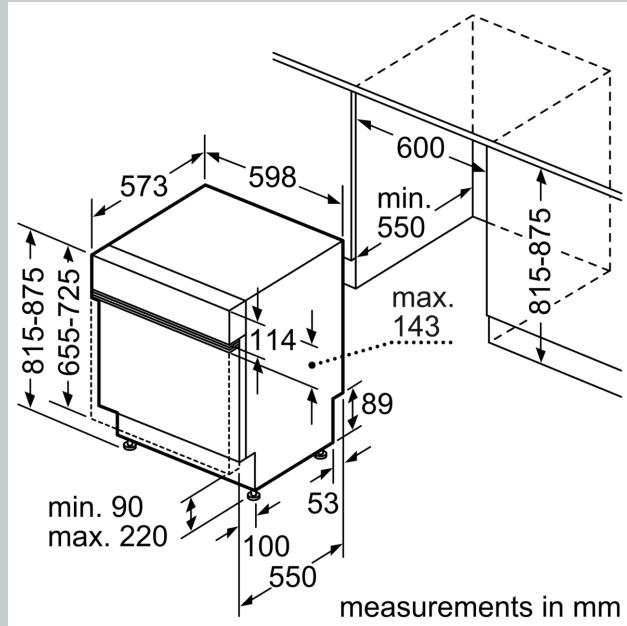
N 50, SEMI-INTEGRATED DISHWASHER, 60 CM,
STAINLESS STEEL
S145HTS01G

Dimensioned drawings

measurements in mm



⏏ socket
() values with extension kit



measurements in mm