

iQ300, Built-under fridge with freezer section, 82 x 60 cm, flat hinge KU22LVFD0G



| Included accessories | |
|---------------------------------|----------------------------------|
| 1 x egg tray, 1 x ice cube tray | |
| Optional accessories | |
| KF10ZAX0 | Door panel with decor frame |
| KSZGGM00 | Butter box |
| KU20ZSX0 | Attachment door, stainless steel |

Built-under fridge with 4-star freezer section and Door Alarm for worry-free cooling and freezing where space is limited.

- ✓ superCooling: faster cooling for fresh food.
- ✓ LED light – Even lighting throughout the inside of your fridge to keep everything in view.
- ✓ safetyGlass shelves – Extra strong and easy to clean.
- ✓ Home Connect: Manage your home appliances from wherever you are.

| Features | |
|--|---------------------------------|
| Technical Data | |
| Energy Efficiency Class: | D |
| Average annual energy consumption in kilowatt hour per year (kWh/a): | 119 kWh/annum |
| Sum of volume of frozen compartments: | 17 l |
| Sum of volume of chill compartments: | 93 l |
| Airborne acoustical noise emissions : | 35 dB(A) re 1 pW |
| Airborne acoustical noise emission class: | B |
| Design: | Built-in |
| Door panel options: | Not possible |
| Height: | 820 mm |
| Width of the appliance: | 598 mm |
| Dimensions: | 548 mm |
| Min. required niche size for installation (HxWxD): .. | 820 x 600 x 550 mm |
| Weight: | 30.4 kg |
| Fuse protection: | 10 A |
| Door opening: | Right reversible |
| Nominal power: | 220-240 V |
| Frequency: | 50 Hz |
| Length of electrical supply cord: | 230.0 cm |
| Number of compressors: | 1 |
| Number of independent cooling systems: | 1 |
| Interior ventilator: | No |
| Reversible Door Hinge: | Yes |
| Number of Adjustable Shelves in fridge compartment (Stck): | 2 |
| Shelves for Bottles: | No |
| EAN code: | 4242003933695 |
| Brand: | Siemens |
| Product name / Commercial code: | KU22LVFD0G |
| Product category: | Upright fridge |
| Frost free system: | No |
| Installation type: | Built under |
| Included accessories: | 1 x egg tray, 1 x ice cube tray |



iQ300, Built-under fridge with freezer section, 82 x 60 cm, flat hinge KU22LVFD0G

Features

Performance and Consumption

- EU19_EEK_D: D
- Total Volume : 110 l
- Annual Energy Consumption: 119 kWh/a
- Climate Class: SN-T
- Noise Level : 35 dB , EU19_Noise emission class_D: B

Functions

- LED fridge light with Soft Start

Design features

- Electronic control (LED chain)
- Optical and acoustical door open warning system
- Fresh mode
- Home Connect: iService Remote, Remote Monitoring and Control with Wi-Fi connectivity
- Super Cooling: automatic deactivation
- Automatic defrost in fridge section
- Easy clean interior

Design features

- Net Fridge Volume : 93 l
- 2 door bins
- Bottle holder in x-deep door tray

Freshness System

Food freshness system

- Net Freezer Volume : 17 l
- Temperature rise time : EU19_Temperature rise time_D: 9 H
- EU19_Fast freezer facility_D
- Freezing capacity 24h : 3 kg
- Ice box

Key features - Fridge section

- Right hinged door, door reversible
- can be built under
- Ventilation through plinth
- Length of power cord:230 cm
- 220 - 240 V

Dimension and installation

- Niche Dimensions: 82 cm H x 60 cm W x 55 cm D
- Dimensions: 82 cm H x 59.8 cm W x 54.8 cm D

Key features - Freezer section

- KU22LVFD0G

Country Specific Options

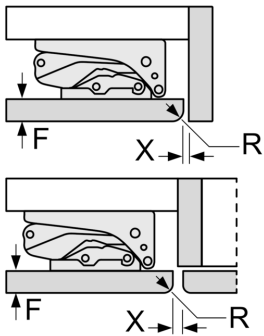
- Based on the results of the standard 24-hour test. Actual consumption depends on usage/position of the appliance.

Additional features

**iQ300, Built-under fridge with
freezer section, 82 x 60 cm, flat
hinge
KU22LVFD0G**

Dimensioned drawings

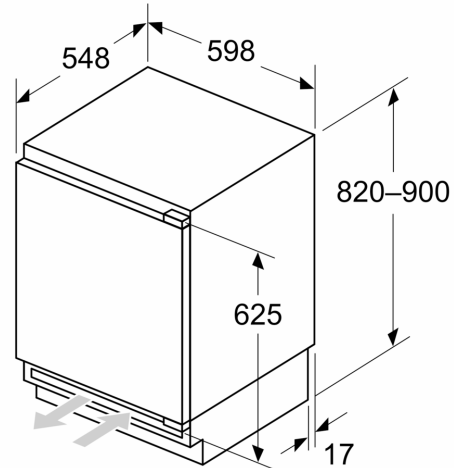
measurements in mm
Recommended gap dimensions for flat hinges



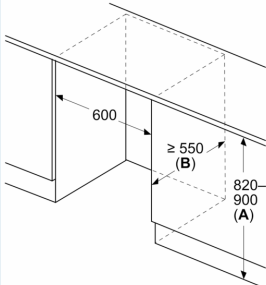
| F | R | X |
|-------|-----|-----|
| 16-19 | 0-3 | 2.5 |
| 20 | 0-1 | 3 |
| 21 | 2-3 | 2.5 |
| | 0-1 | 3 |
| 22 | 2-3 | 2.5 |
| | 0 | 4 |
| | 1 | 3.5 |
| | 2-3 | 3 |

The gap dimensions recommended in the table must be adhered to in order to ensure that appliance doors do not collide with anything when they are opened, and to avoid causing damage to kitchen units.

Measurements in mm



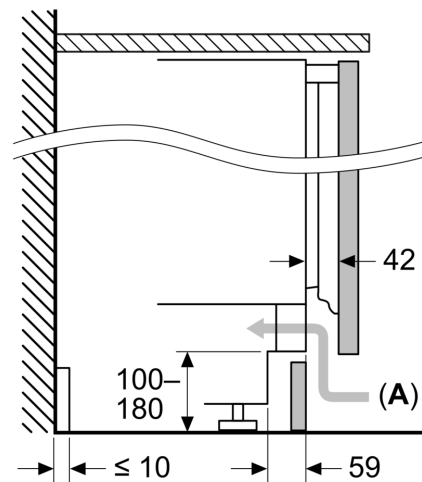
Measurements in mm



A: Substructure height
B: ≥ 560 mm (recommended)

Space for electrical connection next to the appliance on the left or right side

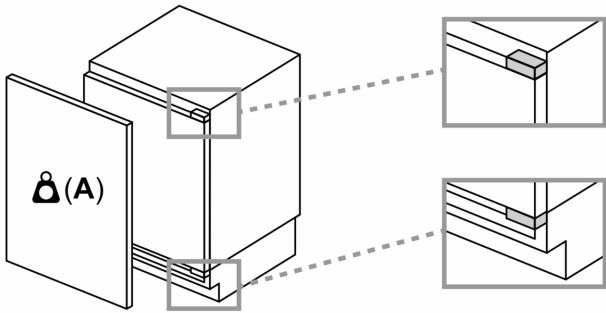
Measurements in mm



A: Air inlet ≥ 200 cm²

Dimensioned drawings

Maximal permissible weight of the unit fronts



Fitted unit fronts that exceed the permissible weight may cause damage and result in functional impairment of the hinges

A: Weight \leq 12 kg