

**iQ300, Built-under fridge, 82 x 60 cm, flat hinge  
KU21RVFEOG**



Built-under fridge: loads of space and easy access, with Door Alarm for worry-free storage where space is limited.

- ✓ superCooling: faster cooling for fresh food.
- ✓ safetyGlass shelves – Extra strong and easy to clean.
- ✓ Home Connect: Manage your home appliances from wherever you are.

Included accessories	
1 x egg tray	
Optional accessories	
KF10ZAX0	Door panel with decor frame
KU20ZSX0	Attachment door, stainless steel

**Features**

**Technical Data**

Energy Efficiency Class: ..... E

Average annual energy consumption in kilowatt hour per year (kWh/a): ..... 93 kWh/annum

Sum of volume of frozen compartments: ..... 0 l

Sum of volume of chill compartments: ..... 134 l

Airborne acoustical noise emissions : ..... 35 dB(A) re 1 pW

Airborne acoustical noise emission class: ..... B

Design: ..... Built-in

Door panel options: ..... Not possible

Height: ..... 820 mm

Width of the appliance: ..... 598 mm

Dimensions: ..... 548 mm

Min. required niche size for installation (HxWxD): .. 820 x 600 x 550 mm

Weight: ..... 28.4 kg

Fuse protection: ..... 10 A

Door opening: ..... Right reversible

Nominal power: ..... 220-240 V

Frequency: ..... 50 Hz

Length of electrical supply cord: ..... 230.0 cm

Number of compressors: ..... 1

Number of independent cooling systems: ..... 1

Interior ventilator: ..... No

Reversible Door Hinge: ..... Yes

Number of Adjustable Shelves in fridge compartment (Stck): 3

Shelves for Bottles: ..... No

EAN code: ..... 4242003934029

Brand: ..... Siemens


Product name / Commercial code: ..... KU21RVFEOG

Product category: ..... Upright fridge

Frost free system: ..... No

Installation type: ..... Built under

Included accessories: ..... 1 x egg tray



## iQ300, Built-under fridge, 82 x 60 cm, flat hinge KU21RVFE0G

### Features

#### Performance and Consumption

- EU19\_EEK\_D: E
- Total Volume : 134 l
- Annual Energy Consumption: 93 kWh/a
- Climate Class: SN-T
- Noise Level : 35 dB , EU19\_Noise emission class\_D: B

#### Functions

- LED fridge light with Soft Start

#### Design features

- Electronic control (LED chain)
- Optical and acoustical door open warning system
- Fresh mode
- Home Connect: iService Remote, Remote Monitoring and Control with Wi-Fi connectivity
- Super Cooling: automatic deactivation
- Automatic defrost in fridge section
- Easy clean interior

#### Design features

- Net Fridge Volume : 134 l
- 2 door bins
- Bottle holder in x-deep door tray

#### Freshness System

#### Key features - Fridge section

- Right hinged door, door reversible
- can be built under
- Ventilation through plinth
- Length of power cord:230 cm
- 220 - 240 V

#### Dimension and installation

- Niche Dimensions: 82 cm H x 60 cm W x 55 cm D
- Dimensions: 82 cm H x 59.8 cm W x 54.8 cm D

#### Key features - Freezer section

- KU21RVFE0G

#### Country Specific Options

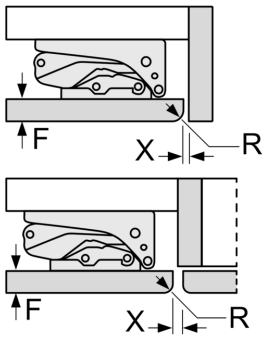
- Based on the results of the standard 24-hour test. Actual consumption depends on usage/position of the appliance.

#### Additional features

**iQ300, Built-under fridge, 82 x 60 cm, flat hinge  
KU21RVFE0G**

Dimensioned drawings

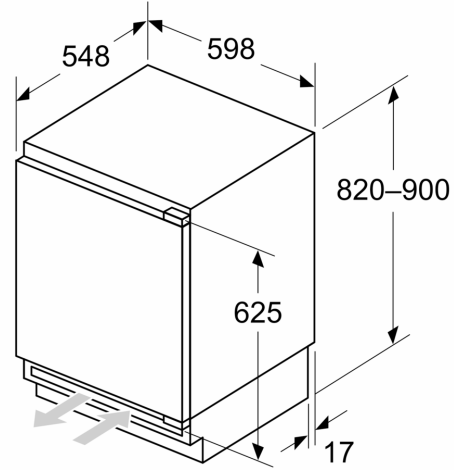
measurements in mm  
Recommended gap dimensions for flat hinges



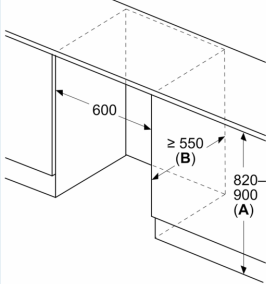
F	R	X
16-19	0-3	2.5
20	0-1	3
	2-3	2.5
21	0-1	3
	2-3	2.5
22	0	4
	1	3.5
	2-3	3

The gap dimensions recommended in the table must be adhered to in order to ensure that appliance doors do not collide with anything when they are opened, and to avoid causing damage to kitchen units.

Measurements in mm

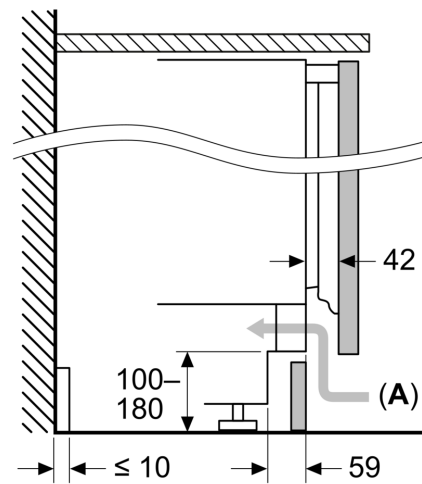


Measurements in mm



A: Substructure height  
B: ≥ 560 mm (recommended)  
Space for electrical connection next to the appliance on the left or right side

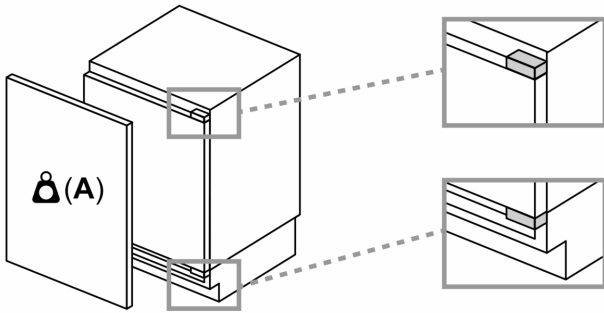
Measurements in mm



A: Air inlet ≥ 200 cm<sup>2</sup>

## Dimensioned drawings

### Maximal permissible weight of the unit fronts



Fitted unit fronts that exceed the permissible weight may cause damage and result in functional impairment of the hinges

**A:** Weight  $\leq 12$  kg