

## Series 2, Fully-integrated dishwasher, 60 cm SMV2HTX02G



SGZ0BI02	decorative strips stainless steel 81,5cm
SGZ1010	inlet and outlet hose extention
SGZ8BI00	Connection rail for divided furniture
SMZ2056	Attachment door, stainless steel
SMZ5003	Retractable hinge f. high corpus dimens.
SMZ5300	GlassSecure Tray

## Connected dishwasher with noise reduction at any time via the Home Connect App.

- **ExtraDry:** extra drying option for difficult-to-dry loads.
- **InfoLight:** a red light on the floor indicates whether the dishwasher is switched on or off.
- **Silence on demand:** up to 30 min noise reduction at any time via the Home Connect App.
- **Auto Programmes:** automatically selects the best cleaning performance programme.
- **Home Connect:** home appliances with smart connectivity for an easier everyday life.

Energy Efficiency Class: .....D  
 Energy Consumption for 100 cycles Eco Programme: ..... 84 kWh  
 Maximum number of place settings: ..... 13  
 The water consumption of the eco programme in liters per cycle: 9.0 l  
 Programme duration: ..... 4:30 h  
 Airborne acoustical noise emissions : .....46 dB(A) re 1pW  
 Airborne acoustical noise emission class: .....C  
 Built-in / Free-standing: ..... Built-in  
 Height of removable worktop: ..... 0 mm  
 Dimensions of the product (HxWxD): .....815 x 598 x 550 mm  
 Min. required niche size for installation (HxWxD): ....815-875 x 600 x 550 mm  
 Depth with open door 90 degree: ..... 1150 mm  
 Adjustable feet: ..... Yes - all from front  
 Maximum adjustability feet: ..... 60 mm  
 Adjustable plinth: ..... Both horizontal and vertical  
 Net weight: ..... 30.7 kg  
 Gross weight: ..... 34.1 kg  
 Connection rating: ..... 2400 W  
 Fuse protection: ..... 10 A  
 Voltage: ..... 220-240 V  
 Frequency: ..... 50; 60 Hz  
 Length electrical supply cord: ..... 175.0 cm  
 Plug type: ..... GB plug  
 Length inlet hose: ..... 165 cm  
 Length outlet hose: ..... 190 cm  
 EAN code: ..... 4242005480166  
 Installation typology: ..... Integrated



## Series 2, Fully-integrated dishwasher, 60 cm SMV2HTX02G

### Connected dishwasher with noise reduction at any time via the Home Connect App.

<sup>1</sup> Scale of Energy Efficiency Classes from A to G

<sup>2</sup> Energy consumption in kWh per 100 cycles (in programme Eco 50 °C)

<sup>3</sup> Water consumption in litres per cycle (in programme Eco 50 °C)

<sup>4</sup> Duration of programme Eco 50 °C

#### Performance

- Energy Efficiency Class<sup>1</sup>: D
- Energy<sup>2</sup> / Water<sup>3</sup>: 84 kWh / 9 litres
- Capacity: 13 place settings
- Programme duration<sup>4</sup>: 4:30 (h:min)
- Noise level: 46 dB(A) re 1 pW
- Noise Efficiency Class: C

#### Programmes / functions

- 5 programmes: Eco 50 °C, Auto 45-65 °C, Intensive 70 °C, Express 65°, Favourite
- Default favourite programme: Pre-Rinse
- 4 special options: Remote Start, Extra Dry, Half Load, SpeedPerfect+
- Add-On functions via Home Connect app: Hygiene+, Silence on Demand
- Machine Care

#### Flexible design elements

- Normal baskets
- Low friction wheels on bottom basket
- Rack Stopper to prevent derailing of bottom basket
- Knife rack in top basket
- Cutlery basket in lower rack
- Upper rack cup shelf
- Glass holder in top basket

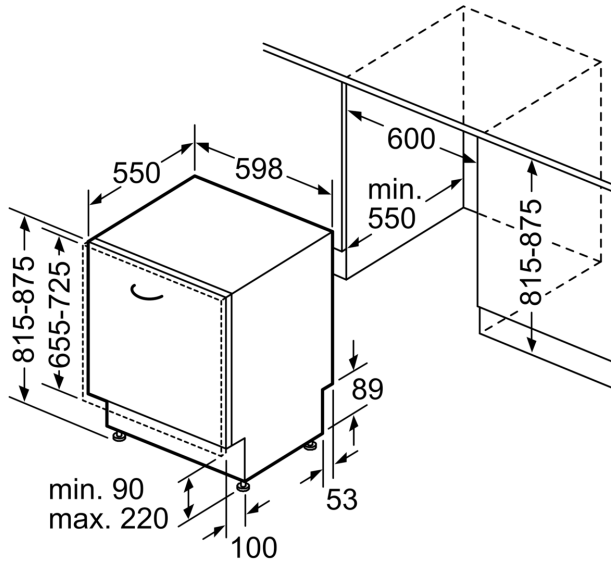
#### Innovations and technology

- Home Connect ready on WLAN
- Heat exchanger - Hygienic and efficient drying
- DosageAssist detergent dispenser
- EcoSilence BLDC drive
- Automatic detergent detection
- AquaSensor III
- AquaMix - Glass protection system

#### Design features

- Push button top edge controls
- InfoLight (Red) - Light projection on the floor
- Time delay (3, 6 or 9 hours)
- Acoustic end of cycle indicator
- AquaStop: Bosch's warranty in case of water damage - for the lifetime of the appliance. Please find warranty terms under <https://www.bosch-home.co.uk/customer-service/care-protection-and-parts/additional-warranties>
- Self-cleaning filter system with 3 piece corrugated filter
- steam protection plate
- Stainless steel/Polinox interior
- Dimensions (HxWxD): 81.5 x 59.8 x 55cm

**Series 2, Fully-integrated  
dishwasher, 60 cm  
SMV2HTX02G**



measurements in mm