

iQ500, Built-in fridge-freezer with freezer at bottom, 177.2 x 55.8 cm, soft close flat hinge KI86NADD0



KSGGZM00 Butter box

Built-in fridge-freezer with hyperFresh ^o to keep fruit and vegetables fresh longer and LED lights and freezerLight for brilliant illumination of the fridge's and freezer interior.

- ✓ noFrost – Never defrost your freezer again.
- ✓ autoAirflow – Ideal air circulation for even cooling at all levels, maintaining longer freshness.
- ✓ LED light – Even lighting throughout the inside of your fridge to keep everything in view.
- ✓ Door closes automatically and softly when it is open at a 20° angle or less - Soft closing.
- ✓ superCooling: faster cooling for fresh food.

Energy Efficiency Class:	D
Average annual energy consumption in kilowatt hour per year (kWh/a):	186 kWh/annum
Sum of volume of frozen compartments:	76 l
Sum of volume of chill compartments:	184 l
Airborne acoustical noise emissions :	35 dB(A) re 1pW
Airborne acoustical noise emission class:	B
Built-in / Free-standing:	Built-in
Door panel options:	Possible but accessory
Height:	1772 mm
Width of the appliance:	558 mm
Dimensions:	548 mm
Min. required niche size for installation (HxWxD):	1775.0 x 560 x 550 mm
Weight:	58.2 kg
Fuse protection:	10 A
Door opening:	Right reversible
Nominal power:	220-240 V
Frequency:	50 Hz
Length electrical supply cord:	230.0 cm
Number of compressors:	1
Number of independent cooling systems:	2
Interior ventilator:	No
Reversible Door Hinge:	Yes
Number of Adjustable Shelves in fridge compartment:	2
Shelves for Bottles:	Yes
Frost free system:	Freezer
Installation type:	Fully integrated



iQ500, Built-in fridge-freezer with freezer at bottom, 177.2 x 55.8 cm, soft close flat hinge KI86NADD0

- Built-in fridge freezer
- easy Installation
- Fixed hinge, softClosing door system - dampens door movement, for smooth and effortless closure

Performance and Consumption

- EU19_EEK_D: D
- Total Volume : 260 l
- Net Fridge Volume : 184 l
- Net Freezer Volume : 76 l
- Freezing capacity 24h : 8 kg
- Annual Energy Consumption: 186 kWh/a
- Climate Class: SN-ST
- EU19_Fast freezer facility_D
- Noise Level : 35 dB , EU19_Noise emission class_D: B
- Temperature rise time : EU19_Temperature rise time_D: 11 H

Functions

- Bright interior LED fridge light in fridge section

Design features

- NO_FROST_NEU_BL, never have to defrost ever again
- Electronic control (2 LED chains)
- Super Cooling: automatic deactivation

Design features

- 4 safety glass shelves in fridge compartment of which 2 are height adjustable
- 1 removable door storage compartments.
- 3 door bins
- 1 dairy compartment in door
- Bottle rack

Freshness System

Food freshness system

- SuperFreeze with Manual/automatic activation
- 3 freezer drawers

Dimension and installation

- Dimensions: 177.2 cm H x 55.8 cm W x 54.8 cm D
- Niche Dimensions: 177.5 cm H x 56 cm W x 55 cm D

Key features - Fridge section

- Right hinged door, door reversible
- Height adjustable front feet
- 220 - 240 V
- Length of power cord:230 cm

Key features - Freezer section

- 3 x egg tray, 2 x ice cube tray

Country Specific Options

- Based on the results of the standard 24-hour test. Actual

consumption depends on usage/position of the appliance.

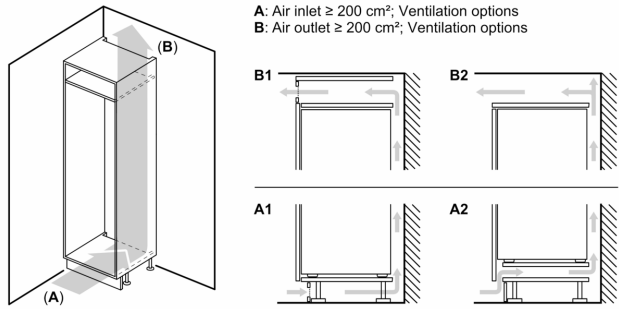
Design features

Dimension and installation

Additional features

- Door shelves in fridge door: 1 large and 1 small.

iQ500, Built-in fridge-freezer with freezer at bottom, 177.2 x 55.8 cm, soft close flat hinge KI86NADD0



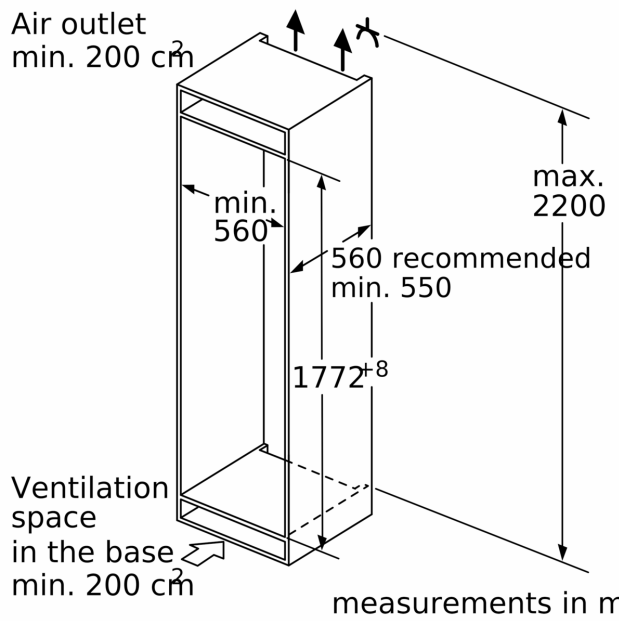
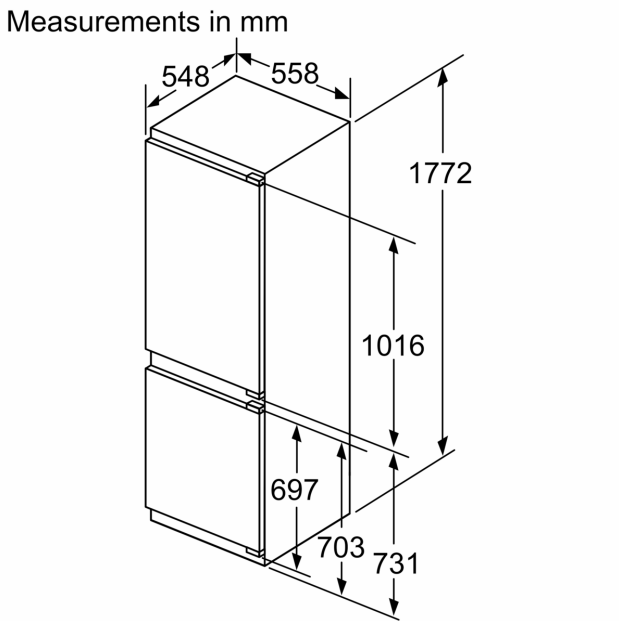
Maximal permissible weight of the unit fronts

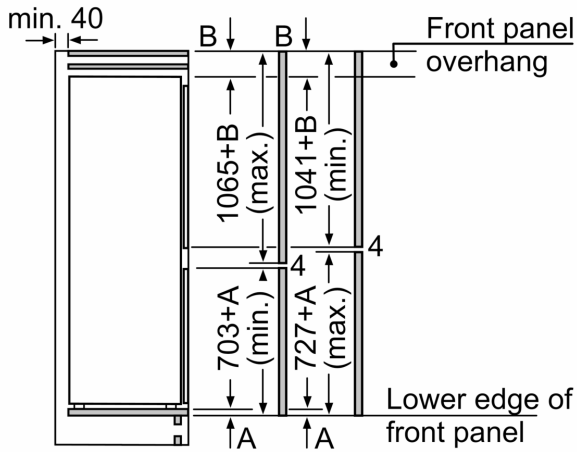
Fitted unit fronts that exceed the permissible weight may cause damage and result in functional impairment of the hinges

Δ Weight
 A: Appliance door height including hinges in mm

B: Undamped hinge, unit front in kg
 C: Damped hinge, unit front in kg
 D: Additional possible load in kg with heavy load kit

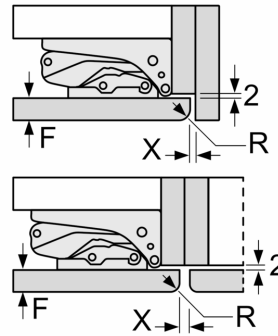
A	B	C	D
1500-1750	22	22	
720-1400	19	19	B+5 / C+5
A1	15	19	
A2	15	19	





The specified unit door dimensions are valid for a door gap of 4 mm.
 measurements in mm

measurements in mm
 Recommended gap dimensions for flat hinges



F	R	X
16-19	0-3	2.5
20	0-1	3
	2-3	2.5
21	0-1	3
	2-3	2.5
22	0	4
	1	3.5
	2-3	3

The gap dimensions recommended in the table must be adhered to in order to ensure that appliance doors do not collide with anything when they are opened, and to avoid causing damage to kitchen units.