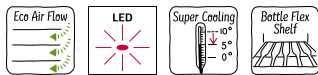


N 50, BUILT-IN FRIDGE, 88 X 56 CM, FLAT HINGE
K11212FEO



This built-in refrigerator keeps food at its freshest thanks to the ideal air circulation Eco Air Flow.

- ✓ Eco Air Flow – Even air circulation for constant temperatures and fast cooling.
- ✓ LED Light – Pleasant illumination for the entire fridge, with long-life LEDs.
- ✓ Super Cooling – Reduces the temperature for quick chilling, before returning to the regular setting.
- ✓ Bottle Flex Shelf – A bottle holder and shelf in one.
- ✓ Flex Door Storage – Extra space for your bottles.

Energy Efficiency Class: E
 Average annual energy consumption in kilowatt hour per year (kWh/a): 92 kWh/a
 Sum of volume of frozen compartments: 0 l
 Sum of volume of chill compartments: 136 l
 Airborne acoustical noise emissions : 35 dB(A) re 1pW
 Airborne acoustical noise emission class: B
 Built-in / Free-standing: Built-in
 Door panel options: Possible but accessory
 Height: 874 mm
 Width of the appliance: 541 mm
 Depth: 548 mm
 Min. required niche size for installation (HxWxD): .880 x 560 x 550 mm
 Net weight: 30.6 kg
 Fuse protection: 10 A
 Door hinge: Right reversible
 Voltage: 220-240 V
 Frequency: 50 Hz
 Length electrical supply cord: 230.0 cm
 Number of compressors: 1
 Number of independent cooling systems: 1
 Interior ventilator: No
 Reversible Door Hinge: Yes
 Number of Adjustable Shelves in fridge compartment: 2
 Shelves for Bottles: No
 EAN code: 4242004265016
 Brand: Neff
 Product name / Commercial code: K11212FEO
 Product category: Refrigerator
 Frost free system: No
 Installation typology: Full-integrated
 Included accessories: 3 x egg tray

3 x egg tray

KF1213S0 Door panel with decor frame
 KF1213Z0 Door panel with decor frame
 KS6B0RZ0 Bottle Rack
 KSGG0MZ0 Butter box



N 50, BUILT-IN FRIDGE, 88 X 56 CM, FLAT HINGE KI1212FE0

- Built-in fridge
- easy Installation
- Fixed hinge

- Based on the results of the standard 24-hour test. Actual consumption depends on usage/position of the appliance.
- 3 safety glass shelves (2 height adjustable)

Performance and Consumption

- EU19_EEK_D: E
- Total Volume : 136 l
- Net Fridge Volume : 136 l
- Annual Energy Consumption: 92 kWh/a
- Climate Class: SN-ST
- Noise Level : 35 dB , EU19_Noise emission class_D: B

Functions

- Bright interior LED fridge light in fridge section

Design features

- 2 safety glass shelves in fridge compartment of which 2 are height adjustable
- 1 removable door storage compartments.
- 2 door bins
- Door shelves in fridge door: 1 large and 1 small.
- BottleFlex Shelf

Freshness System

- 1 FreshSafe drawer- The ideal place to store your fruit and vegetables safely.

Key features - Fridge section

- Right hinged door, reversible
- Super Cooling: automatic deactivation
- built-in, partly integrated
- Automatic defrost fridge
- Easy clean interior
- Single cooling circuit

Dimension and installation

- Niche Dimensions: 88 cm H x 56 cm W x 55 cm D
- Dimensions: 87.4 cm H x 54.1 cm W x 54.8 cm D
- 220 - 240 V

Included accessories

- KF1213S0, KF1213Z0, KS6B0RZ0, KSGG0MZ0

Key features - Freezer section

- KI1212FE0
- 2 x egg tray
- bottle holder in door tray

Additional features

- Length of power cord: 230 cm

Design features

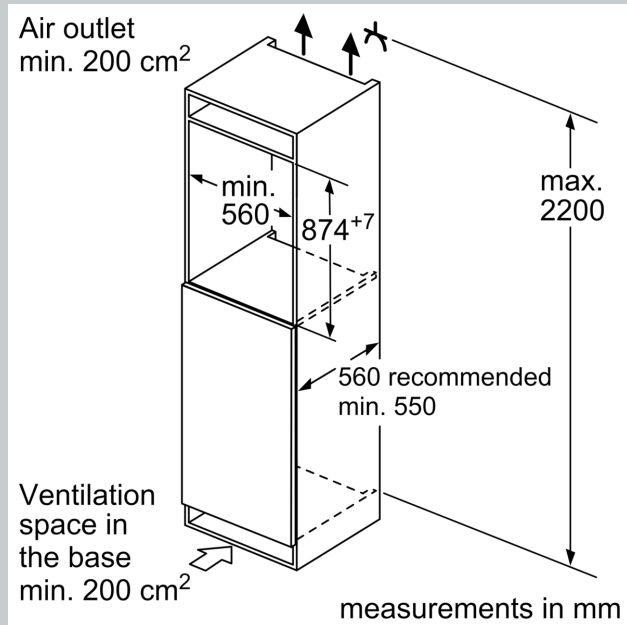
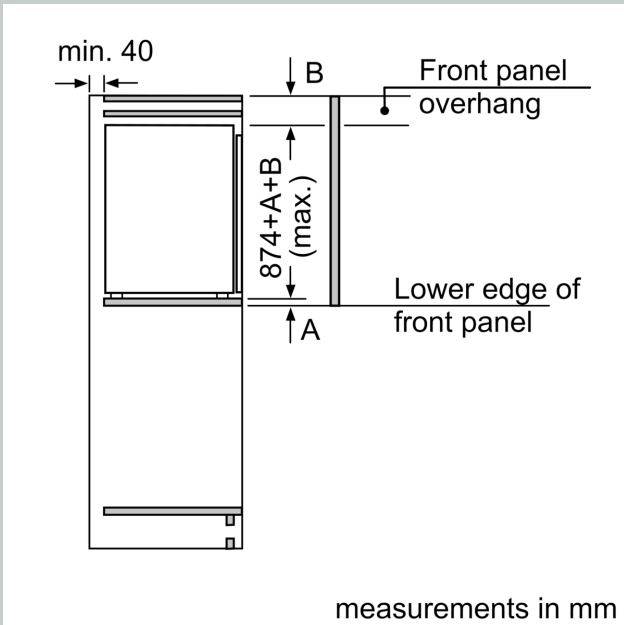
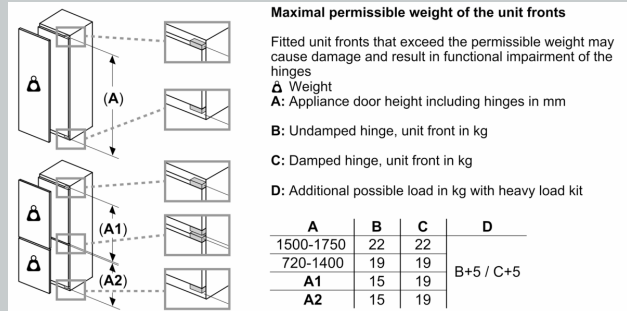
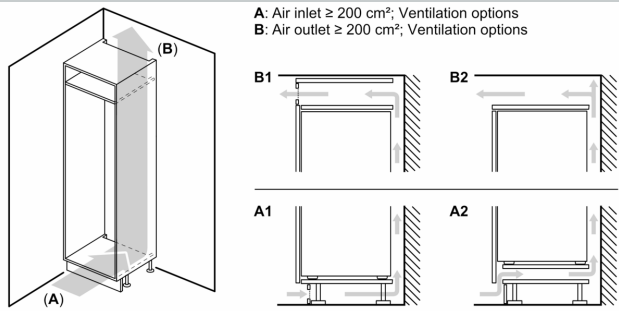
Dimension and installation

Design features

- Electronic control (LED chain)

Country Specific Options

N 50, BUILT-IN FRIDGE, 88 X 56 CM, FLAT HINGE
K11212FEO



measurements in mm
Recommended gap dimensions for flat hinges

	F	R	X
16-19	0-3	2.5	
	20	0-1	3
21	2-3	2.5	
	0-1	3	
22	2-3	2.5	
	0	4	
	1	3.5	
	2-3	3	

The gap dimensions recommended in the table must be adhered to in order to ensure that appliance doors do not collide with anything when they are opened, and to avoid causing damage to kitchen units.