

N 30, BUILT-IN FRIDGE, 88 X 56 CM, SLIDING HINGE
K11211SEO



This built-in refrigerator keeps food at its freshest thanks to the ideal air circulation Eco Air Flow.

- ✓ Adjustable Glass Shelves – Height adjustable shelves create the space you need for inspiring dishes in your fridge
- ✓ Our safety glass shelves happily shoulder generous loads of delicacies in your fridge
- ✓ Eco Air Flow – Even air circulation for constant temperatures and fast cooling.
- ✓ LED Light – Pleasant illumination for the entire fridge, with long-life LEDs.
- ✓ Super Cooling – Reduces the temperature for quick chilling, before returning to the regular setting.

Energy Efficiency Class:E
Average annual energy consumption in kilowatt hour per year (kWh/a): 92 kWh/a
Sum of volume of frozen compartments: 0 l
Sum of volume of chill compartments: 136 l
Airborne acoustical noise emissions : 35 dB(A) re 1pW
Airborne acoustical noise emission class: B
Built-in / Free-standing: Built-in
Door panel options: Not possible
Height: 874 mm
Width of the appliance: 541 mm
Depth: 548 mm
Min. required niche size for installation (HxWxD): 880 x 560 x 550 mm
Net weight: 29.2 kg
Fuse protection: 10 A
Door hinge: Right reversible
Voltage: 220-240 V
Frequency: 50 Hz
Length electrical supply cord: 230.0 cm
Number of compressors: 1
Number of independent cooling systems: 1
Interior ventilator: No
Reversible Door Hinge: Yes
Number of Adjustable Shelves in fridge compartment: 2
Shelves for Bottles: No
EAN code: 4242004264446
Brand: Neff
Product name / Commercial code: K11211SEO
Product category: Refrigerator
Frost free system: No
Installation typology: Full-integrated
Included accessories: 3 x egg tray

3 x egg tray

KS6BORZO Bottle Rack
KSGGOMZO Butter box



N 30, BUILT-IN FRIDGE, 88 X 56 CM, SLIDING HINGE
K11211SE0

- Sliding hinge
- Built-in fridge
- easy Installation
- built-in, partly integrated

Performance and Consumption

- EU19_EEK_D: E
- Total Volume : 136 l
- Net Fridge Volume : 136 l
- Net Freezer Volume : 0 l
- Annual Energy Consumption: 92 kWh/a
- Climate Class: SN-ST
- Noise Level : 35 dB , EU19_Noise emission class_D: B
- Automatic defrost fridge

Design features

- Easy clean interior
- Single cooling circuit
- Electronic control (LED chain)
- Super Cooling: automatic deactivation

Functions

- Bright interior LED fridge light in fridge section

Design features

- 3 safety glass shelves in fridge compartment of which 2 are height adjustable
- Door shelves in fridge door: 1 large and 1 small.
- 2 door bins
- Bright interior LED fridge light

Freshness System

- 1 FreshSafe drawer- The ideal place to store your fruit and vegetables safely.

Key features - Fridge section

- Right hinged door, reversible
- Length of power cord: 230 cm
- 220 - 240 V

Dimension and installation

- Niche Dimensions: 88 cm H x 56 cm W x 55 cm D
- Dimensions: 87.4 cm H x 54.1 cm W x 54.8 cm D

Included accessories

- KS6B0RZ0, KSGG0MZO

Key features - Freezer section

- K11211SE0
- 2 x egg tray
- bottle holder in door tray

Additional features

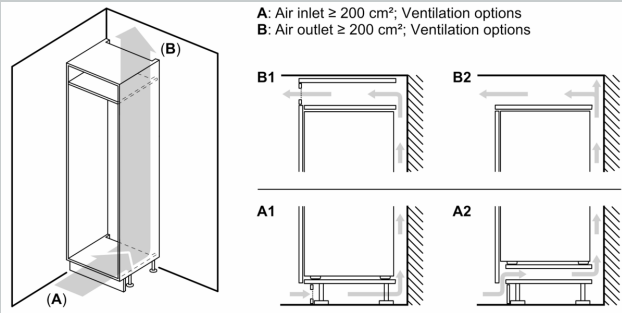
Design features

Dimension and installation

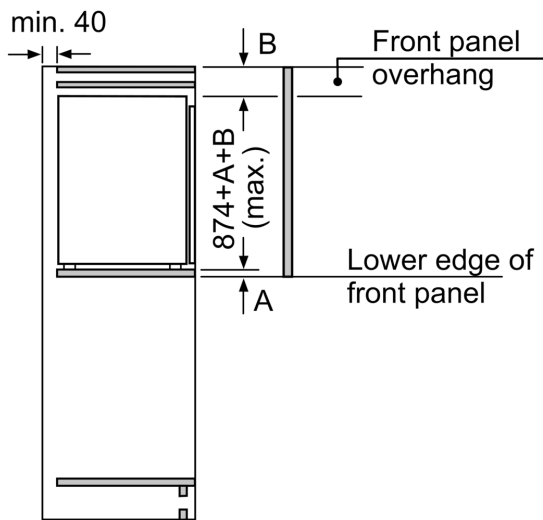
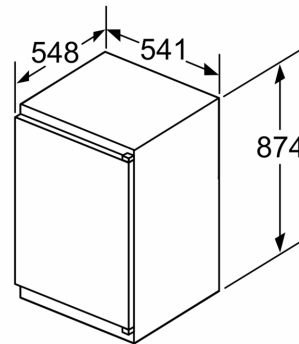
Country Specific Options

- Based on the results of the standard 24-hour test. Actual consumption depends on usage/position of the appliance.

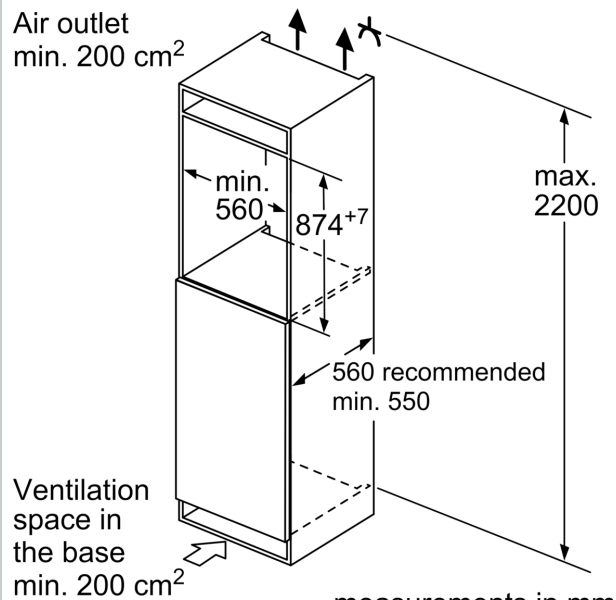
N 30, BUILT-IN FRIDGE, 88 X 56 CM, SLIDING HINGE
K11211SE0



Measurements in mm



measurements in mm



measurements in mm