

N 50, BUILT-IN FRIDGE-FREEZER WITH FREEZER AT BOTTOM, 193.5 X 69.1 CM, SLIDING HINGE KB7962SEO



Built-in fridge freezer with flexible storage and XXL space: flexible storage all over the fridge to daily needs and big boost in fridge capacity.

- ✓ Fresh Safe 1 <0°C> – Ideal storage for fruit and veg, fish and meat.
- ✓ Our safety glass shelves happily shoulder generous loads of delicacies in your fridge
- ✓ Fresh Safe 1 – A flexible fridge drawer for your fruit and veg.
- ✓ Adjustable Glass Shelves – Height adjustable shelves create the space you need for inspiring dishes in your fridge
- ✓ Flex Door Storage – Extra space for your bottles.

Energy Efficiency Class:E
 Average annual energy consumption in kilowatt hour per year (kWh/a): 256 kWh/a
 Sum of volume of frozen compartments: 98 l
 Sum of volume of chill compartments: 285 l
 Airborne acoustical noise emissions : 34 dB(A) re 1pW
 Airborne acoustical noise emission class: B
 Built-in / Free-standing: Built-in
 Door panel options: Not possible
 Height: 1935 mm
 Width of the appliance: 691 mm
 Depth: 548 mm
 Required niche size for installation (HxWxD): 1940 x 710 x 560 mm
 Net weight: 67.5 kg
 EAN code: 4242004274018
 Fuse protection: 10 A
 Door hinge: Right reversible
 Voltage: 220-240 V
 Frequency: 50 Hz
 Length electrical supply cord: 230.0 cm
 Number of compressors: 1
 Number of independent cooling systems: 2
 Interior ventilator: No
 Reversible Door Hinge: Yes
 Number of Adjustable Shelves in fridge compartment: 4
 Shelves for Bottles: Yes
 Frost free system: Freezer
 Installation typology: Full-integrated

KSZGGM00 Butter box



*N 50, BUILT-IN FRIDGE-FREEZER WITH FREEZER
AT BOTTOM, 193.5 X 69.1 CM, SLIDING HINGE
KB7962SEO*

- noFrost freezer, Built-in fridge/freezer
- Sliding hinge, softClosing door: No

Performance and Consumption

- EU19_EEK_D: E
- Total Volume : 383 l
- Annual Energy Consumption: 256 kWh/a
- Noise Level : 34 dB , EU19_Noise emission class_D: B

Functions

- LED with Soft Start in fridge section
- Built-in fridge/freezer

Design features

- NO_FROST_NEU_BL, never have to defrost ever again
- EU19_Fast freezer facility_D
- Heavy load hinge set
- Home Connect: Remote diagnostics, Remote Monitoring and Control
- Twin LED electronic control panel
- Two separate cooling circuits allow independent temperature control and prevents the transference of humidity between the fridge and freezer cavity
- Super Cooling: automatic deactivation
- acoustic alarm, optical and acoustical, acoustic for Fridge and Freeze
- Automatic defrost fridge

Design features

- Net Fridge Volume : 285 l
- 5 safety glass shelves of which 4 are height adjustable
- Door shelves in fridge door: 1 large and 3 small.
- Bottle rack

Freshness System

- 1 FreshSafe drawer with humidity control retains freshness for longer.

Food freshness system

- Net Freezer Volume : 98 l
- Freezing capacity 24h : 9.5 kg
- Temperature rise time : EU19_Temperature rise time_D: 12 H
- 3 freezer drawers

Dimension and installation

- Dimensions: 193.5 cm H x 69.1 cm W x 54.8 cm D
- Niche Dimensions: 194 cm H x 71 cm W x 56 cm D

Key features - Fridge section

- Right hinged door, reversible
- Height adjustable front feet
- Length of power cord:230 cm
- Climate Class: SN-ST
- 220 - 240 V

Key features - Freezer section

- 1 x ice cube tray

Country Specific Options

- Based on the results of the standard 24-hour test. Actual consumption depends on usage/position of the appliance.

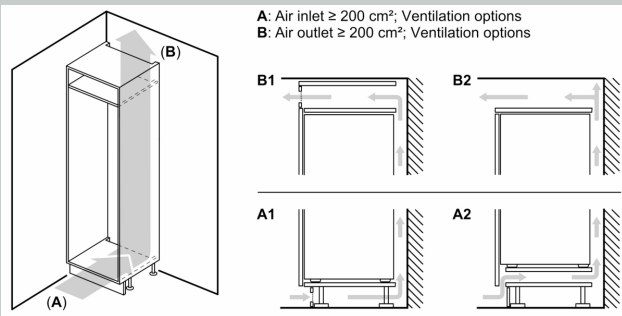
Design features

Dimension and installation

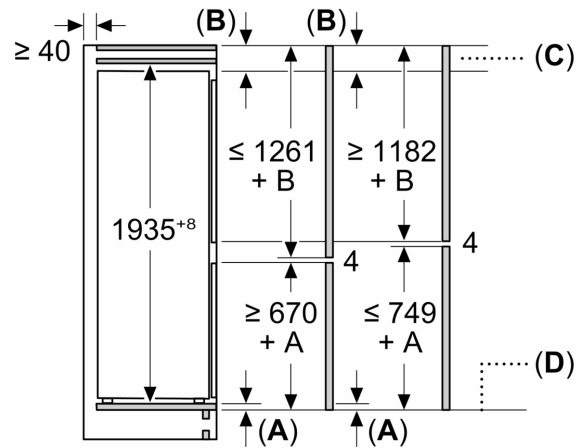
Additional features

- none

N 50, BUILT-IN FRIDGE-FREEZER WITH FREEZER AT BOTTOM, 193.5 X 69.1 CM, SLIDING HINGE
KB7962SE0



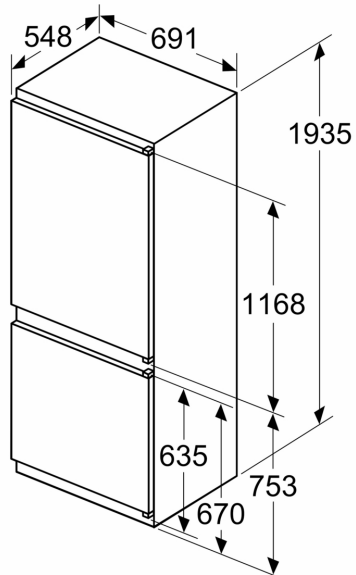
Measurements in mm



C: Front panel overhang

D: Lower edge of front panel

Measurements in mm



Measurements in mm

